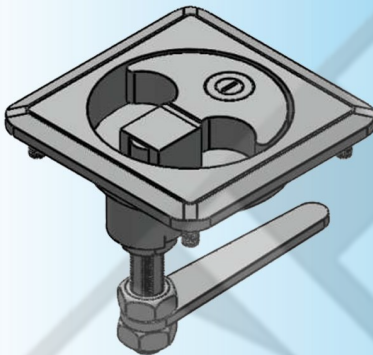


Photo View



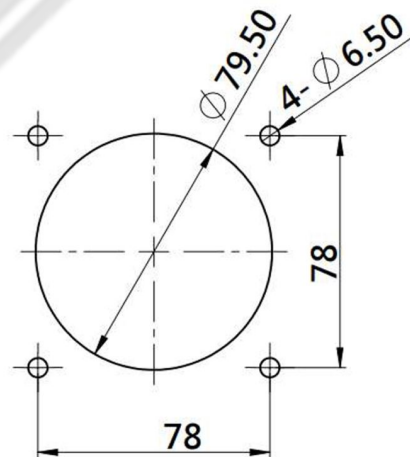
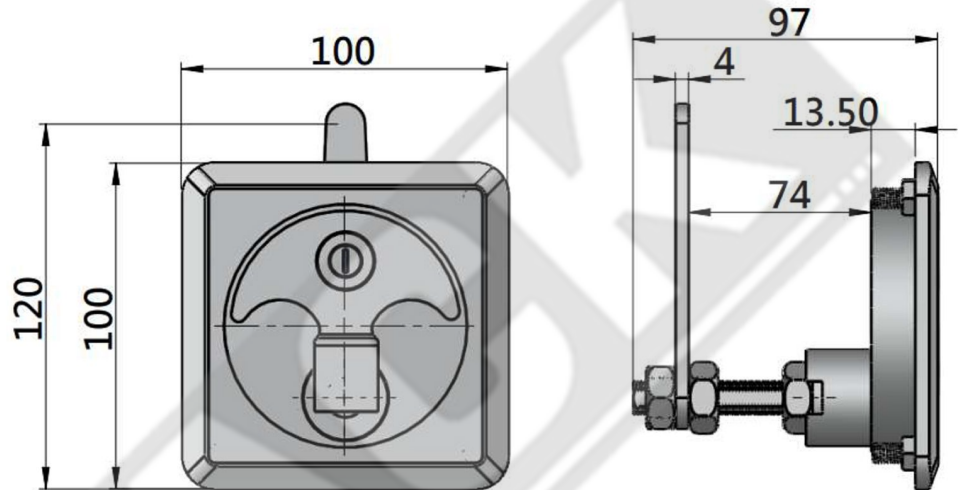
3D Rendered View



MS 903-1

- Material: Zinc Die Casting Handle & Housing, M.S.Zinc Palting Cam Loking Cam-Zinc Die Cast(Chrome
- Finish: Bright Chrome plated.

For Product Step File or 3D Model Send a Request Mail To info@nrack.com



CUTOUT